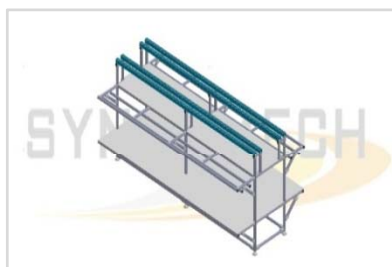
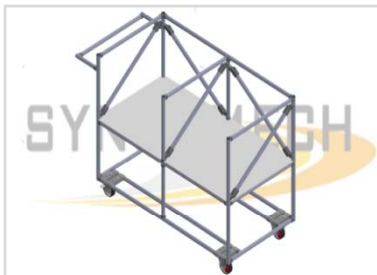

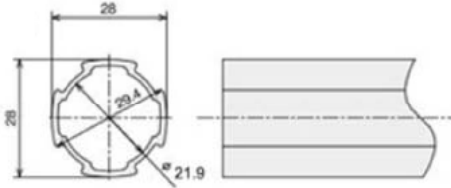
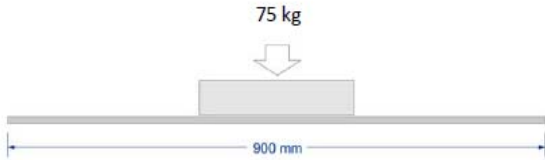





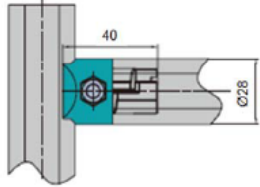
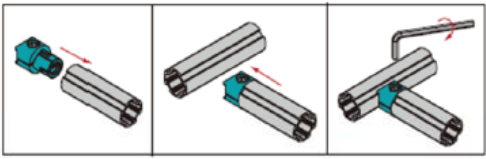
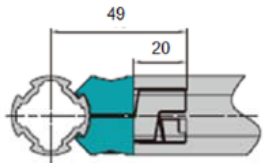

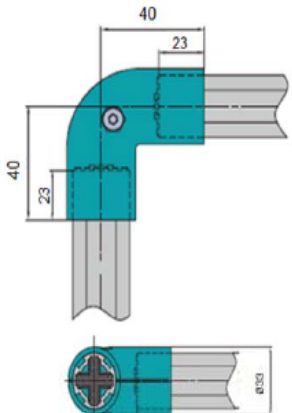
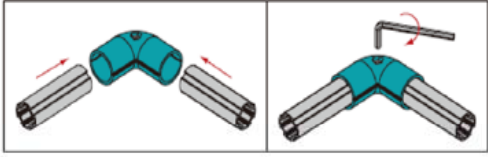
- Lightweight option for lean manufacturing concept
- Suit for Clean Environment , less rust
- Eco Friendly, higher RECYCLE, REUSE
- Compatible with Pipe and Joint Accessories



## Alum Pipe

AL-4000	Technical Data	Drawing
	<p><b>Material:</b> Aluminum Extrusion</p> <p><b>Surface:</b> Anodized</p> <p><b>Thickness:</b> 1.7mm</p> <p><b>Weight:</b> 0.42kg/m</p>	
		

## Joint / Connector

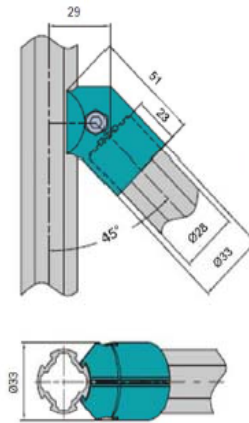
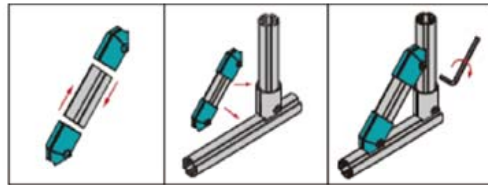
AL-1	Technical Data	Drawing
	<p><b>Material:</b> Aluminum Dia-cast</p> <p><b>Weight:</b> 47 g/sets</p> <p><b>Assy with:</b> Bolt &amp; Nut M6 x 18</p>	
		
		
AL-2	Technical Data	Drawing
	<p><b>Material:</b> Aluminum Dia-cast</p> <p><b>Weight:</b> 96 g/sets</p> <p><b>Assy with:</b> Bolt &amp; Nut M6 x 20</p>	
		

**Joint / Connector**

**AL-3**      **Technical Data**      **Drawing**



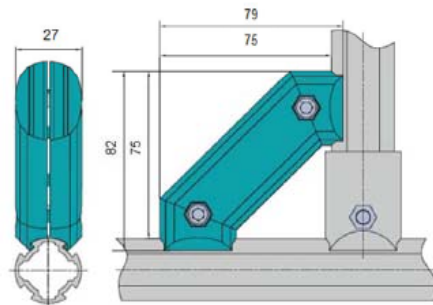
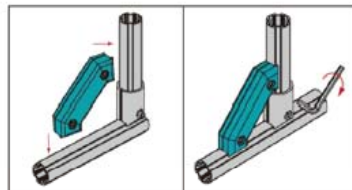
**Material:** Aluminum Dia-cast  
**Weight:** 60 g/sets  
**Assy with:** Bolt & Nut M6 x 20



**AL-4**      **Technical Data**      **Drawing**



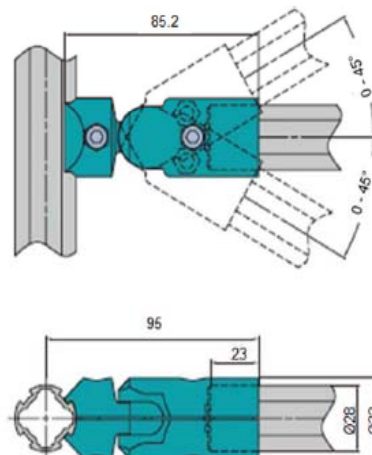
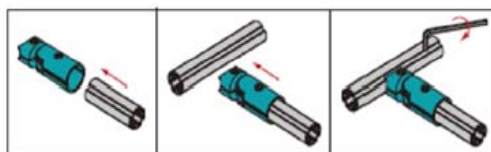
**Material:** Aluminum Dia-cast  
**Weight:** 60 g/sets  
**Assy with:** Bolt & Nut M6 x 18



**AL-5**      **Technical Data**      **Drawing**



**Material:** Aluminum Dia-cast  
**Weight:** 120 g/sets  
**Assy with:** Bolt & Nut M6 x 18  
 Bolt & Nut M6 x 20



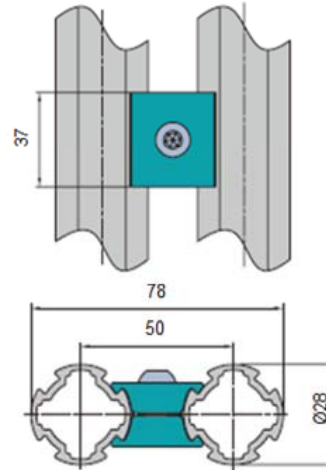
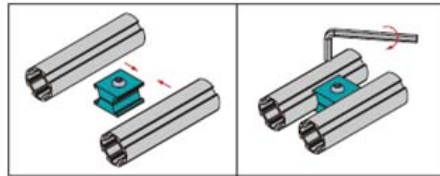


*Joint / Connector*

**AL-6**      **Technical Data**      **Drawing**



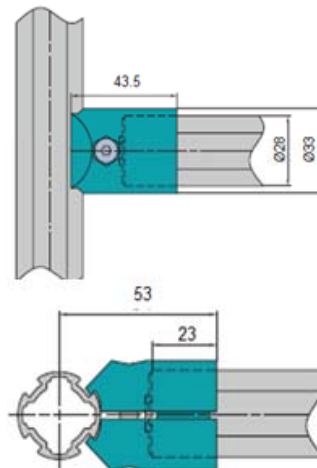
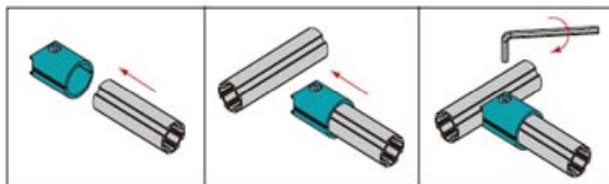
**Material:** Aluminum Dia-cast  
**Weight:** 50 g/sets  
**Assy with:** Bolt & Nut M6 x 16



**AL-7**      **Technical Data**      **Drawing**



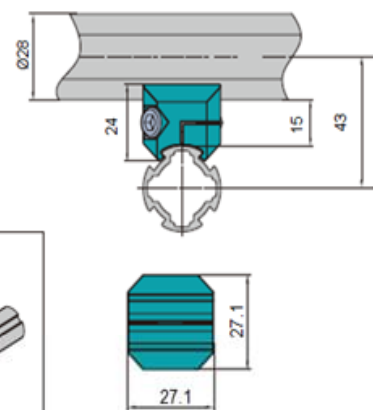
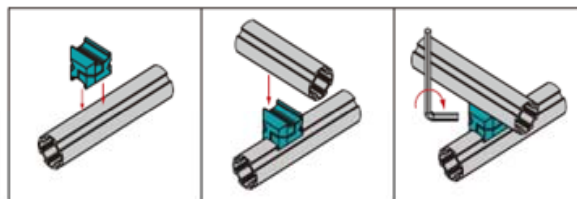
**Material:** Aluminum Dia-cast  
**Weight:** 56 g/sets  
**Assy with:** Bolt & Nut M6 x 22



**AL-8**      **Technical Data**      **Drawing**



**Material:** Aluminum Dia-cast  
**Weight:** 38 g/sets  
**Assy with:** Bolt & Nut M6 x 20



*Project Reference*

